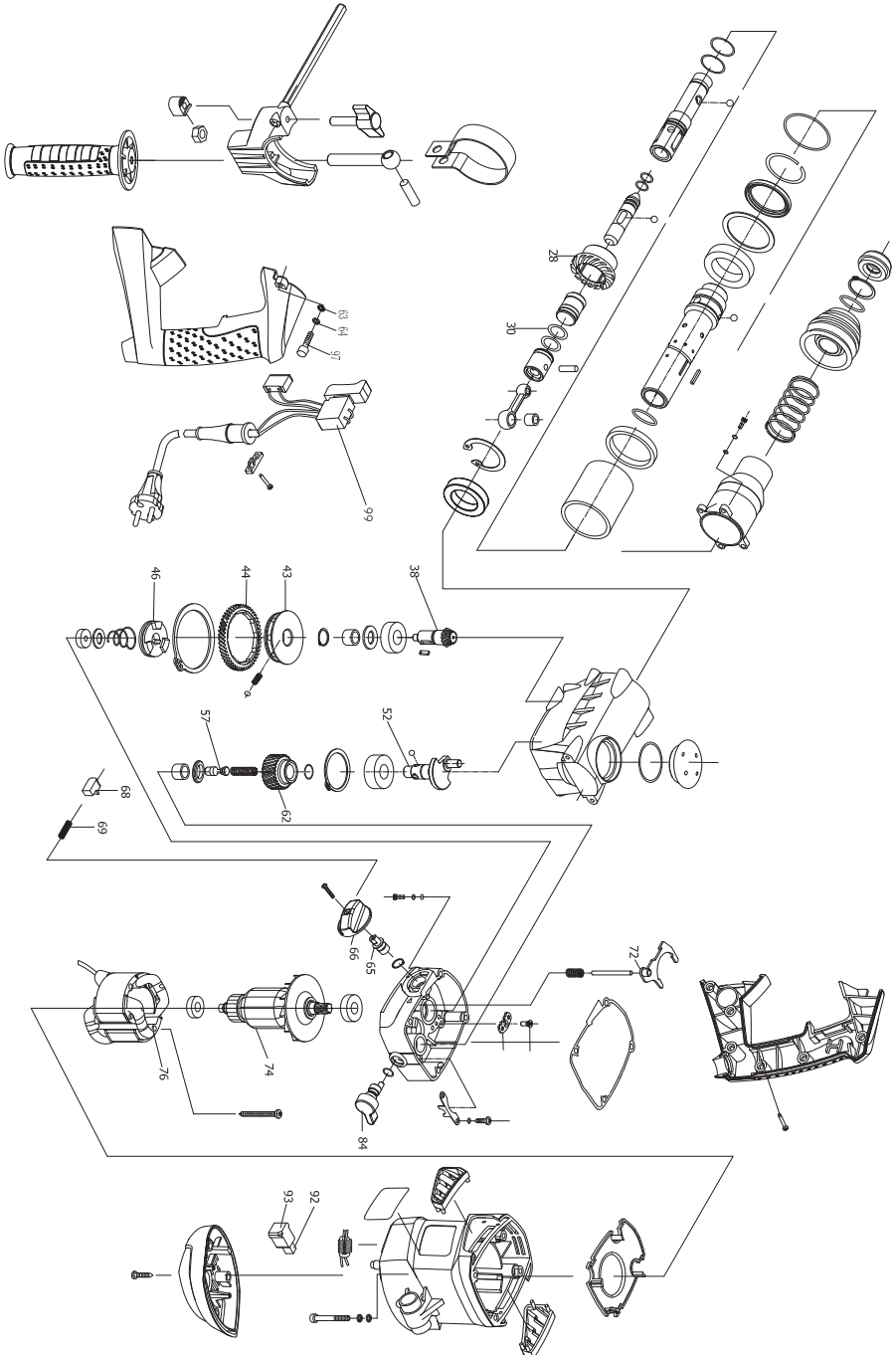


# Exploded view



---

## Parts List

<b>Part No.</b>	<b>Spare Part name</b>
28	Big bevel gear for BHD-1050K
30	O-Ring 24x3 for BHD-1050K
38	Small bevel gear for BHD-1050K
43	Core for BHD-1050K
44	Second gear for BHD-1050K
46	Clutch for BHD-1050K
52	Crank shaft for BHD-1050K
57	Shore for BHD-1050K
62	First gear for BHD-1050K
65	Knob handle for BHD-1050K
66	Knob for BHD-1050K
68	Locating piece for BHD-1050K
69	Knob spring 6.1x20.5x0.8 for BHD-1050K
72	Striking fork for BHD-1050K
74	Rotor for BHD-1050K
76	Stator for BHD-1050K
84	Switch handle for BHD-1050K
92	Carbon brush for BHD-1050K
93	Brush holder for BHD-1050K
99	Power switch for BHD-1050K

---